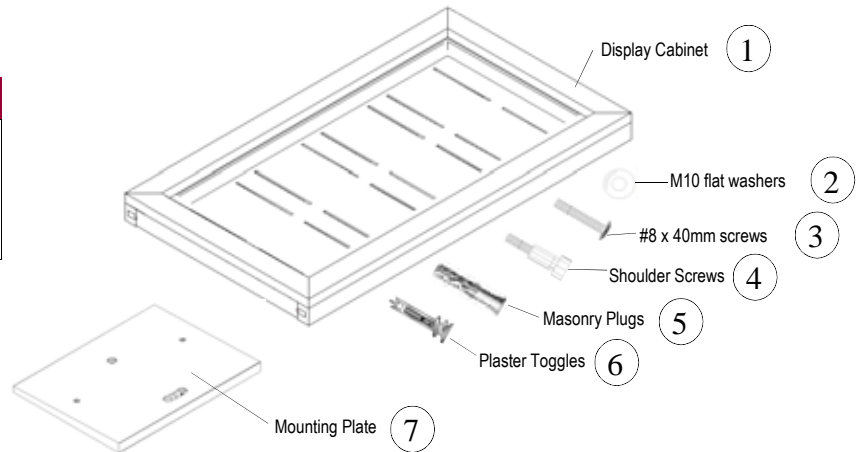




Installation Instructions

IMPORTANT !

Before installing this unit ensure you thoroughly read and understand these installation instructions. Incorrect installation may lead to in-service difficulties. If unsure please seek assistance from a suitably qualified tradesman.



STOP! Read before proceeding

WARNING !

The wall must be capable of carrying the weight of this unit.

5.20 kg for model 00501 or 00502

DO NOT fit this unit to temporary Walls or Structures.

KIT CONTENTS

Location

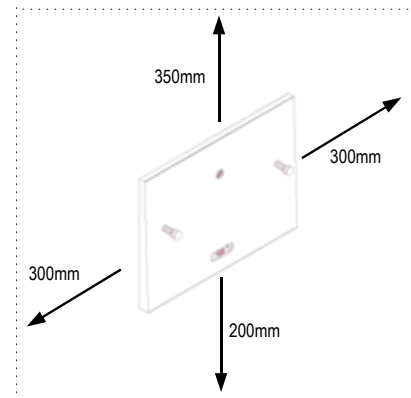
- For closed cavity walls including plaster or fibre board, we recommend this unit be mounted directly onto a wall stud. For masonry walls, or if mounting the unit directly onto a wall stud is not suitable, an appropriate wall anchor MUST be used. (Refer to table A.)

- Select a mounting location that allows a 300 mm perimeter (minimum) surrounding the mounting plate. This space shall permit the unobstructed opening and closing of the unit. (refer to figure 1a)

Equipment

- Verify that you have the following items prior to proceeding further:

- pencil
 - phillips type screwdriver. ⊗
 - timber display case—fitted with aluminium mount brkt.
 - mounting plate
 - levelling device (eg. spirit level)
 - 300mm ruler
 - 2 x shoulder screws
 - 2 x #8 x 40mm screws
 - 2 x M10 flat washers
 - 2 x Plaster wall anchors
 - 2 x Masonry wall anchors
- Extras:
- Drill (hammer)
 - Ø6mm masonry drill bit
 - hammer



Wall perimeter required without obstruction

Figure 1a.

Wall Type	Wall Thickness (mm)	Anchor Type	Minimum Capacity	
Masonry	N/A	Plug	10 kg	
Plaster Fibre board	≥10 mm	Toggle	6 kg or 0.11 kN	
Plaster Fibre board	5 to 9 mm	Metal Hollow Leg	6 kg or 0.11 kN	

Table .A.

Installing the Mounting Plate

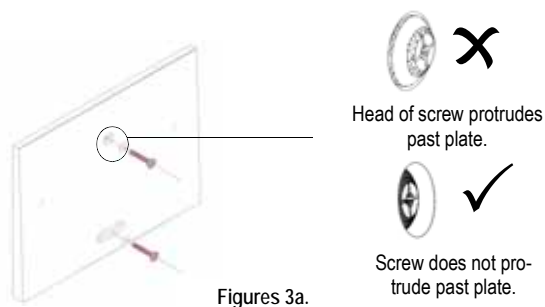
- 1 - Locate wall studs. (if applicable)
- 2 - With a pencil on hand, hold the display cabinet against the wall in the desired location and height. Hold the pencil against the top edge of the cabinet and mark a position on the wall corresponding to the mid point. Remove the cabinet and verify the pencil mark is clearly visible. (refer figure 2a)
- 3 - Measure down 135mm from your pencil mark on the wall and install 1 of the wall anchors at this position. Refer to table A for correct type. Once installed the Anchor **MUST** be flush to the wall.
- 4 - Install a screw through the single Ø10mm hole and loosely fasten the mounting plate to the wall. **Do Not** completely tighten the screw. With the slotted hole rotated lower than the Ø10mm hole, level the plate and trace the slot position onto the wall with a pencil.
- 5 - Remove the plate and install the second wall anchor into the middle position of the slotted trace mark. Re-locate the wall plate, make level and securely tighten both screws. Once tightened no part of either fixing screw should protrude beyond the face of the mounting plate. (refer figures 3a)
- 6 - Install both shoulder screws into the threaded inserts in the mount plate and tighten by hand until they feel firm to the grip. Finally, verify the plate is securely fixed in position, and has no movement from side-to-side or top-to-bottom.

Note#

Slight movement in the mounting plate may be detrimental to the operation of this unit. Please ensure screws are secure.



Figure 2a.



Figures 3a.

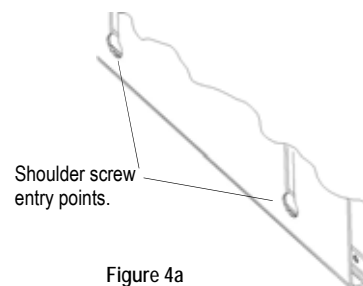


Figure 4a

IMPORTANT !

Your cabinet has been fitted with a wedge bracket matching the wall mounting plate. Please take a moment to inspect the geometry of this bracket now.

Installing the Cabinet

- 1 - Having inspected the layout of the rear wedge plate fitted to the cabinet. (refer to figure 4a) Grasp the unit firmly with two hands and move to a position at the wall on either side of the mounting plate. **Do Not** stand directly in front of the mounting plate.
- 2 - Lift the cabinet keeping it slightly away from the wall until the bottom edges of both the unit and the wall plate are of equal height.
- 3 - Move your head to the side so that you can simultaneously see both the protruding shoulder screws and the rear wedge plate. As illustrated in figure 5b, tilt the top edge of the unit away from the wall and move the unit back toward the wall until the shoulder screws engage the keyhole slots.
- 4 - Lightly push the unit into the wall and then downward so that the screws slip securely into the notches. As you do so, you should feel the unit wedge system take effect.
- 5 - Using two hands continue to push down until the unit is firmly locked into position. Adjust position as required until the unit is level.

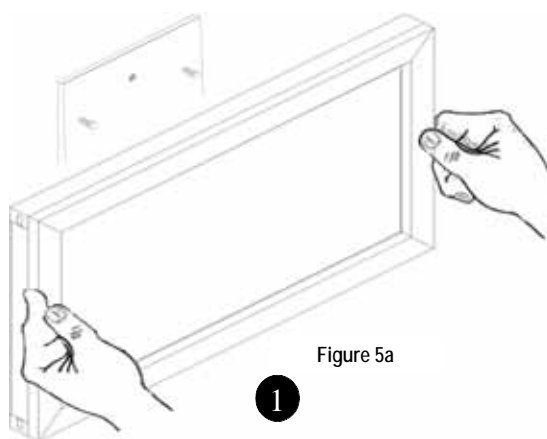


Figure 5a

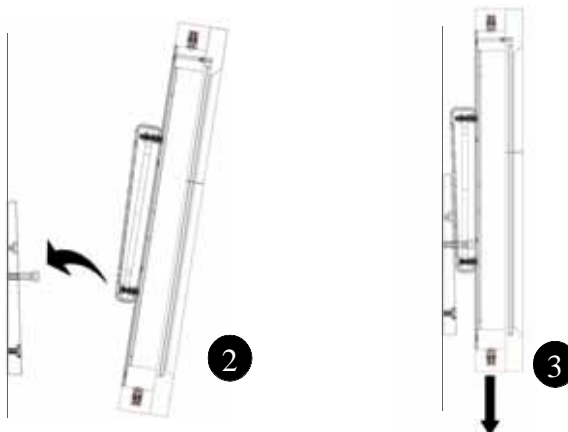


Figure 5b.

Figure 5c.

Removing the Cabinet

- 1 - Firmly grasp the unit with two hands and push upward until the screws reach the end of the key hole notches. Slightly tilt the unit out from the wall and lift it off from the mounting plate.